

# Z-2060 Series

## Windows CE.NET Handheld Computer

**TaxCode**  
INFOSOLUTIONS

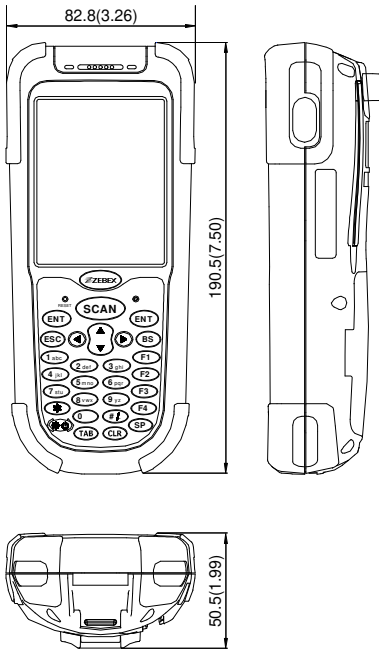


- Large 3.5" TFT QVGA color display with touch panel
- 1D Laser / 2D Imager Scanner options
- Microsoft® Windows® CE.NET 5.0 operating system
- Ergonomic and rugged design, qualified with IP64 industrial standard
- 4,400 mAH 3.7V Li-ion recharged smart battery
- Mini SD I/O slot for expansive function
- Easy system control tools – Power Pack, saving time and cost for software development

◀ Actual size

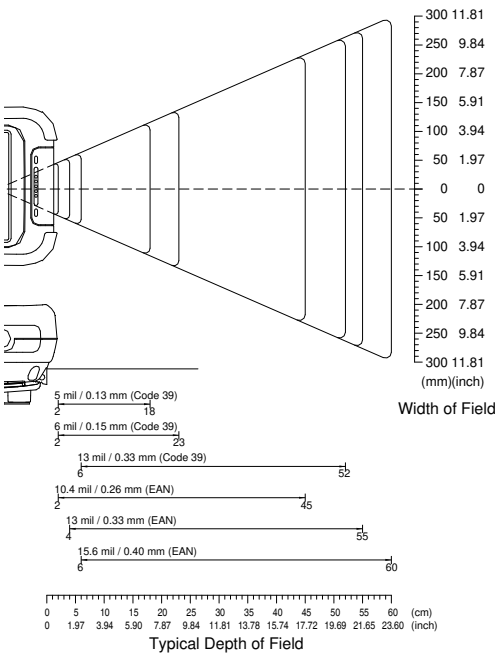


## [Dimensions]



Unit: mm(inch)

## [Scan Field] - 1D Laser



## [Specifications]

### SYSTEM

|                              |   |
|------------------------------|---|
| <b>CPU</b>                   | Intel PXA 270 520 MHz processor   |
| <b>Operating System</b>      | Microsoft® Windows® CE.NET 5.0  |
| <b>RAM</b>                   | 128MB   |
| <b>F-ROM</b>                 | 64MB  |
| <b>Display (LCD)</b>         | 3.5" TFT QVGA 240x320 color display with touch panel                                    |
| <b>Audio</b>                 | One audio jack, one speaker, one microphone   |
| <b>Keypads &amp; Buttons</b> | Total 29-key with two side scan buttons for full alpha/numeric input and system control |
| <b>Interfaces</b>            | IEEE802.11 b/g, Bluetooth® Class 2, RS-232, USB 1.1 Client, IrDA 1.3                    |
| <b>Expansion Slot</b>        | One mini-SD I/O card slot   |

### POWER

|                       |  |
|-----------------------|--|
| <b>Main Battery</b>   | 4,400 mAh, 3.7V, Li-Ion rechargeable battery |
| <b>Backup Battery</b> | 120 mAh, 3.7V, Li-Poly rechargeable battery  |

### SCANNER

|                       |                                      |
|-----------------------|--------------------------------------|
| <b>Engine Type</b>    | 1D laser scanner (2D, RFID optional) |
| <b>Light Source</b>   | 650 nm visible laser diode (VLD)     |
| <b>Scan Rate</b>      | 100 scans per second                 |
| <b>Print Contrast</b> | 30% @ UPC/EAN 100%                   |

### PHYSICAL

|                   |                                  |
|-------------------|----------------------------------|
| <b>Dimensions</b> | (L)190.5 x (W)82.8 x (H)50.5 mm  |
| <b>Weight</b>     | Approx. 480 g (battery included) |

### ENVIRONMENTAL

|                              |  |
|------------------------------|--|
| <b>Operating Temperature</b> | 0°C – 50°C (32°F – 122°F)                |
| <b>Storage Temperature</b>   | -10°C – 60°C (14°F – 140°F)              |
| <b>Operating Humidity</b>    | 10% – 70% RH (non-condensing)            |
| <b>Storage Humidity</b>      | 5% – 70% RH (non-condensing)             |
| <b>Drop Durability</b>       | Withstand 1.2M (4 feet) drop to concrete |
| <b>Environmental Sealing</b> | IP64 rated sealing                       |

### REGULATORY

|            |                        |
|------------|------------------------|
| <b>EMC</b> | CE & FCC Part 15B, 15C |
|------------|------------------------|

## [Model Selections]

| Model    | Scanner   | WLAN | Bluetooth® |
|----------|-----------|------|------------|
| Z-2060BA | 1D laser  | —    | —          |
| Z-2060WL | 1D laser  | —    | —          |
| Z-2062BA | 2D imager | ●    | ●          |
| Z-2062WL | 2D imager | ●    | ●          |

## [Accessories]

- Cradle (including RS-232 and USB cables for communication and charging)
- Communication cables (RS-232 and USB I/F)
- Standard battery pack
- AC adaptor DC 9V, 2A
- Hand strap

